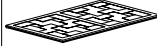
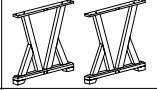

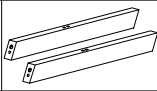

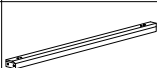


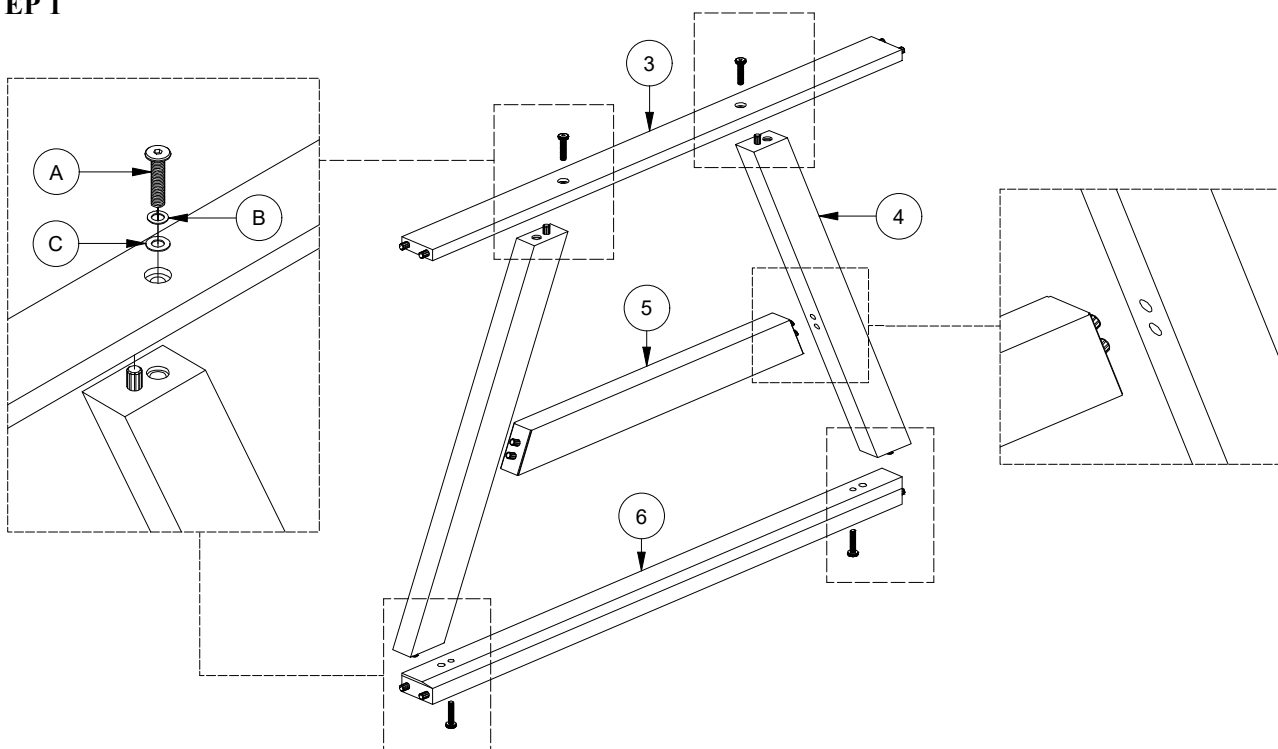
**IMPORTANT NOTE :**

- Place all wooden parts on a clean and smooth surface such as a rug or carpet to avoid the parts from being scratched.
- Check to be sure that you have all parts and hardware.
- Remove all wrapping materials, including staples & packing straps before you start to assemble.
- Do not tighten all screws / bolts until all completely assembled.
- Keep all hardware parts out of reach of children!
- Tighten screws periodically! With the use of this product bolts and screws may become loose over time!
- Don't attempt to modify parts!

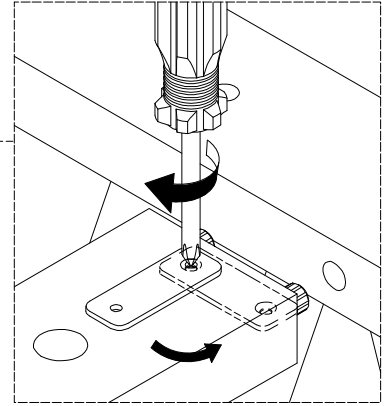
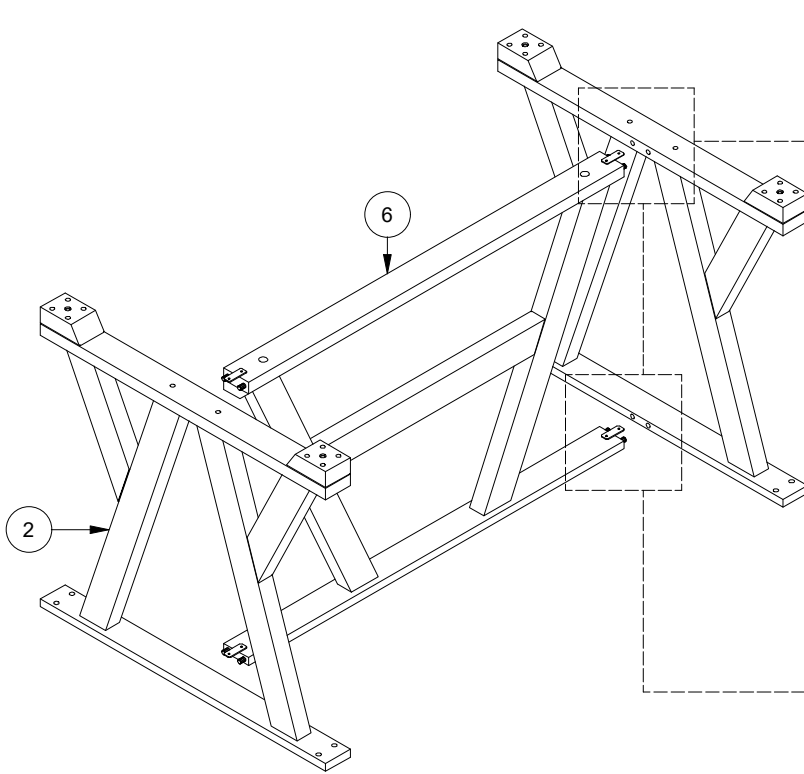
| PART LIST |   |                  |         |
|-----------|---|------------------|---------|
| NO        | DESCRIPTION   |                  | QTY/PCS |
| 1         |    | TABLE TOP        | 1 PC    |
| 2         |    | LEG FRAME        | 2 PCS   |
| 3         |    | TOP RAIL         | 1 PC    |
| 4         |  | ANGLED STRETCHER | 2 PCS   |
| 5         |  | CENTER STRETCHER | 1 PC    |
| 6         |  | BOTTOM STRETCHER | 1 PC    |

| HARDWARE LIST |   |                       |         |
|---------------|---|-----------------------|---------|
| NO            | DESCRIPTION   |                       | QTY/PCS |
| A             |  | BOLT M8 x 40mm        | 12 PCS  |
| B             |  | SPRING WASHER M8      | 12 PCS  |
| C             |  | FLAT WASHER M8 x 16mm | 12 PC   |
| D             |  | ALLEN KEY M5          | 1 PC    |

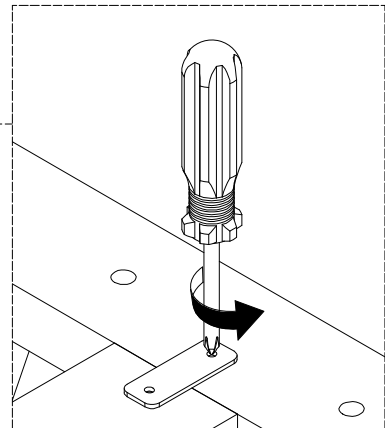
**STEP 1**



**STEP 2**



- Unscrew one screw from pre-installed bracket on Top rail (3) and Bottom stretcher (6)



**STEP 3**

